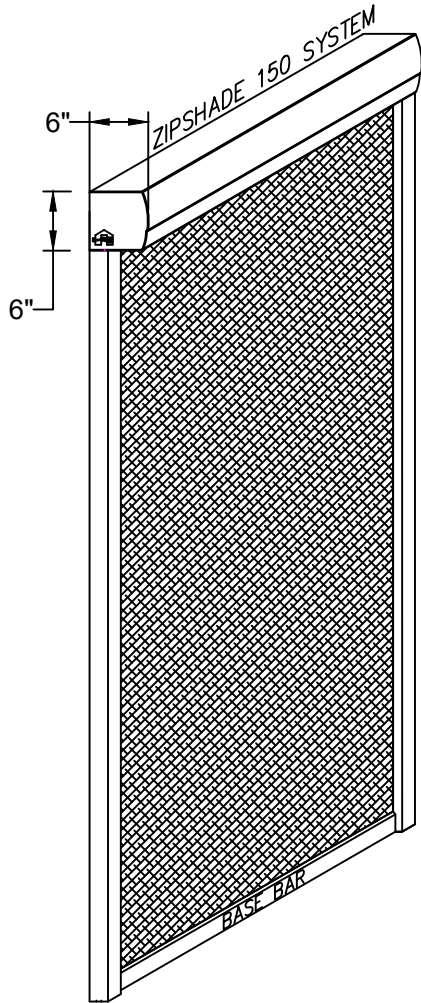


System Specification Sheets
 ZipShade Evo 150

The Zipshade 150 System

Overview and Technical Specifications

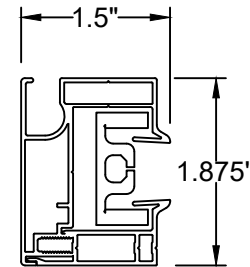
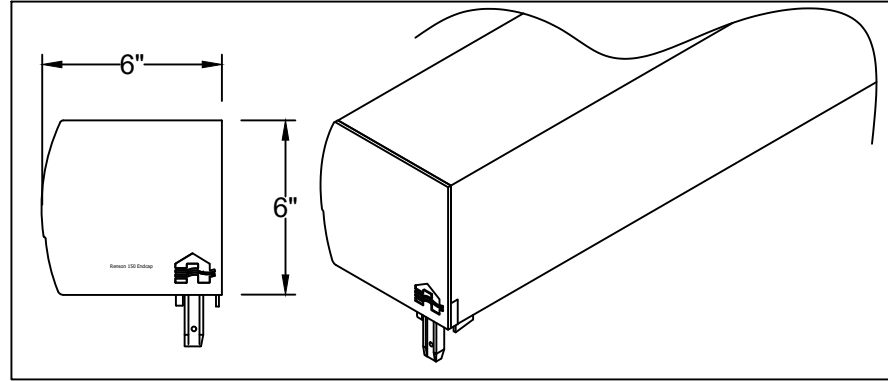


• Available Colors:

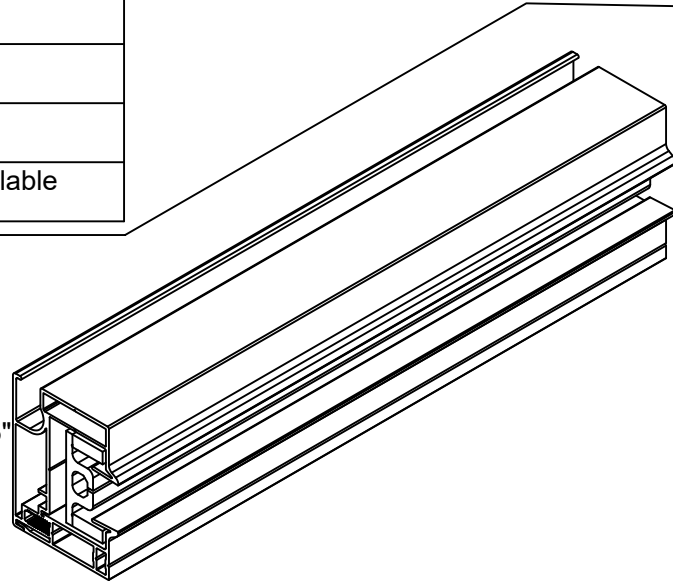
Frame Colors

- White
- Beige (Light Beige)
- Cream
- Metallic
- Bronze
- Arcona Beige (Dark Beige)
- Dark Brown
- Grey
- Bronze
- Custom colors available upon request.

• Available Housing



• Available Rail:



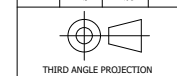
KEY TECHNICAL FEATURES

- POWDER COATED
- CO-EXTRUDED INNER RAIL
- ICONIC SHAPED AXLE
- SCREENS WELDED
- MOTORIZED UNITS HAVE OBSTACLE DETECTION DEVICE.

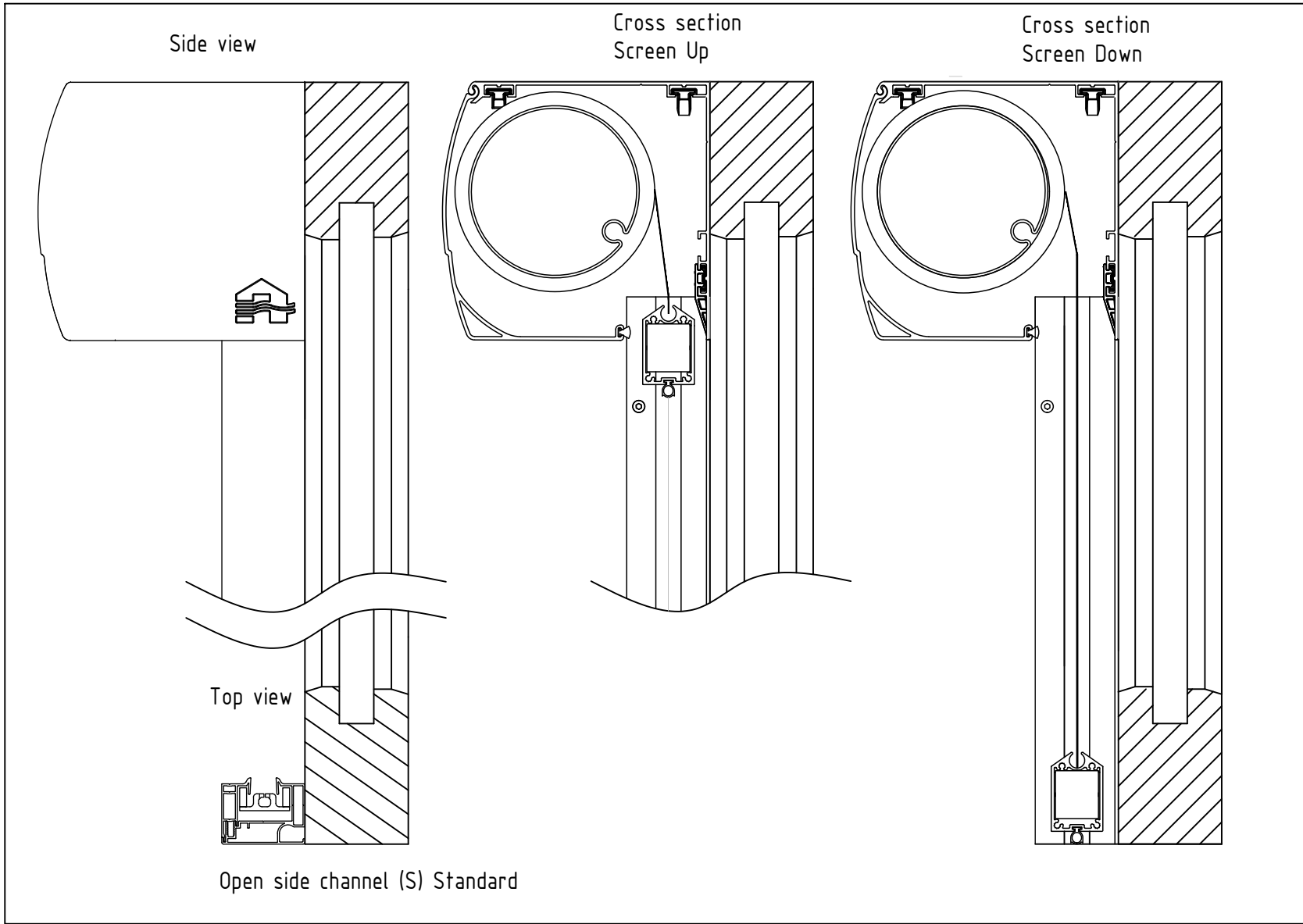


Copyright © 2016 Rollac
V1.1.2017
ROLLAC ROLLING SHUTTERS
5331 W. ORANGE ST.
PEARLAND, TX 77581
TEL: 281-485-1911
WWW.ROLLAC.COM

NAME	DATE	PROJECT:
DRAWN TRAVIS E.	2017/01/11	
CHECKED STEFAN P.	2017/01/11	
APPR.	YYYY/MM/DD	
UNLESS OTHERWISE SPECIFIED DIMENSIONS ARE IN INCHES		
ANGLES	.X	.XX
± .5	± .1	± .03
		± .005



DESCRIPTION:	SIZE DWG. NO.	REV
SYSTEM SPECIFICATION SHEETS FOR ZIPSHADE 150 SYSTEM.	A ZIPSHADE 150	A
SCALE: NONE	WEIGHT: XX.XLBS	1 OF 13



Housing Detail Surface Mounted

	NAME	DATE	PROJECT:
	DRAWN TRAVIS E.	2017/01/11	DESCRIPTION: SYSTEM SPECIFICATION SHEETS FOR ZIPSHADE 150 SYSTEM.
	CHECKED STEFAN P.	2017/01/11	
	APPR.	YYYY/MM/DD	
UNLESS OTHERWISE SPECIFIED DIMENSIONS ARE IN INCHES			
ANGLES	.X	.XX	.XXX
	± .5	± .1	± .03 ± .005
 THIRD ANGLE PROJECTION			SIZE DWG. NO. A ZIPSHADE 150 A
			SCALE: NONE WEIGHT: XX.XLBS 2 OF 13

Copyright © 2016 Rollac
V1.1.2017

ROLLAC ROLLING SHUTTERS
5331 W. ORANGE ST.
PEARLAND, TX 77581
TEL: 281-485-1911
WWW.ROLLAC.COM

The Zipshade 150 System

System Overview and Technical Specifications

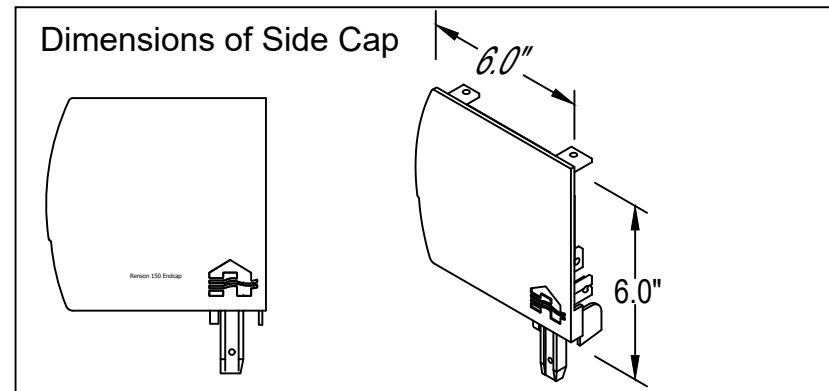
• **Required Minimum and Maximum Dimensions for Operators**

Motorized Systems Min and Max Dimensions	
System Width	3' - 19'-6"
System Height	3'-6" - 19'
Maximum System SQFT	235 sqft

*The system specifications and information herein are based on the dimensional recommendations. If a system requires dimensions outside the scope of these technical recommendations, special engineering and installations may be required. Always consult with Rollac first.

• **Available Operators and SQFT Limitations**

Operator System Dimensions	Max SQFT
Motor Regular Switch	235 sqft
Motor with Remote Control	235 sqft



	NAME	DATE	PROJECT:	
	DRAWN TRAVIS E.	2017/01/11		
	CHECKED STEFAN P.	2017/01/11	DESCRIPTION: SYSTEM SPECIFICATION SHEETS FOR ZIPSHADE 150 SYSTEM.	
	APPR.	YYYY/MM/DD		
UNLESS OTHERWISE SPECIFIED DIMENSIONS ARE IN INCHES			SIZE DWG. NO. A ZIPSHADE 150 A REV	
ANGLES	.X ± .5	.XX ± .1		.XXX ± .03
 THIRD ANGLE PROJECTION				



Copyright © 2016 Rollac
V1.1.2017
ROLLAC ROLLING SHUTTERS
5331 W. ORANGE ST.
PEARLAND, TX 77581
TEL: 281-485-1911
WWW.ROLLAC.COM

Available Stock Fabric Collection	Available Seam Height
Mermet Natte 88%	Seam at 98" opening height
Mermet Satine 95%	Seam at 98" opening height
Phifer Suntex 95 (95%)	Seam at 126" opening height
Phifer Suntex 90 (90%)	Seam at 120" opening height
Phifer Tuff Screen	Seam at 120" opening height
Ferrari Blackout Fabric *	Seam at 67" height

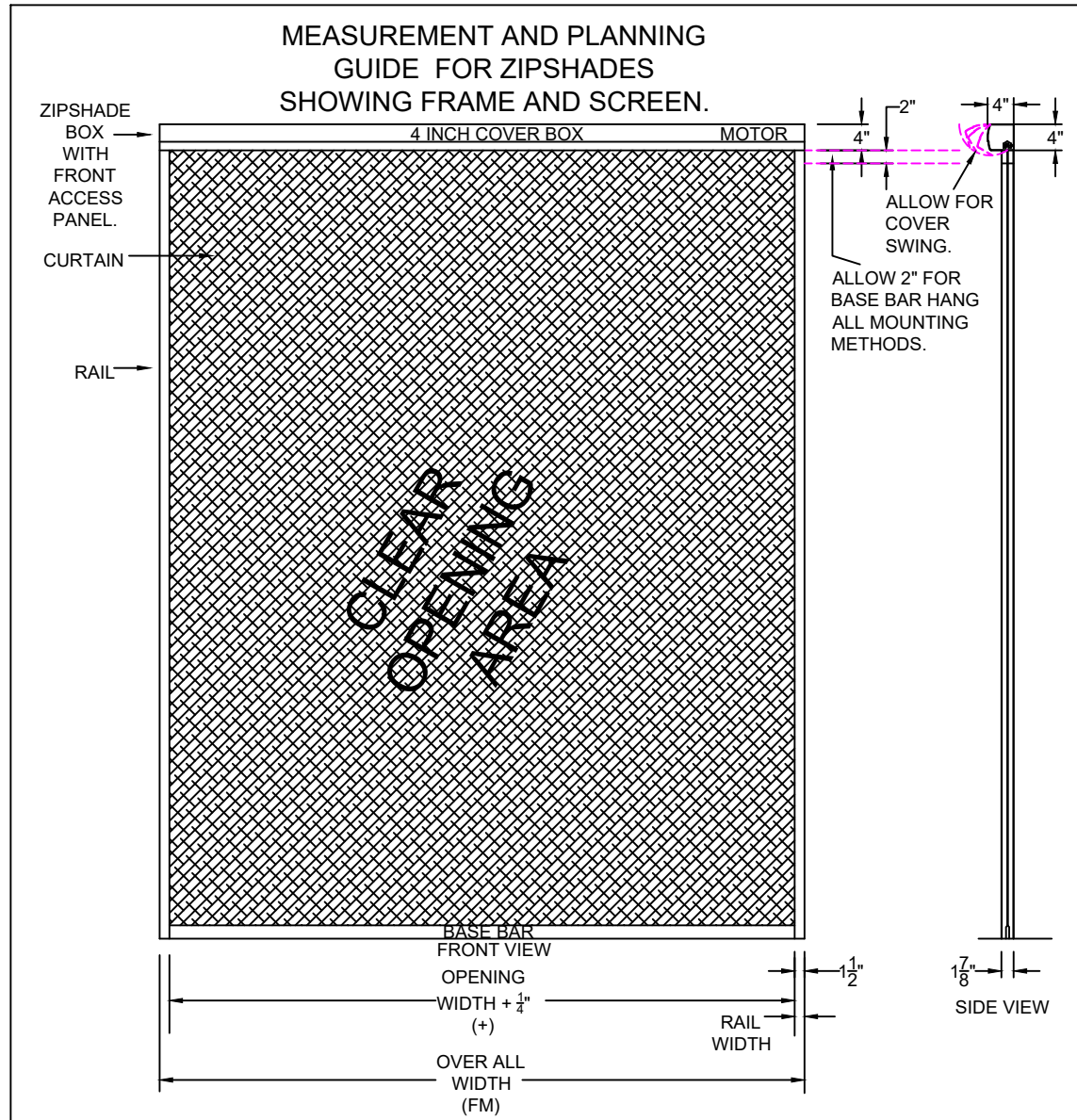
Other fabric collections are non stock and available upon request

Applicable Seam Height: When the zipscreen exceeds the height of the available screen material, two screens have to be welded together. The height where the weld occurs (roughly 0.5") is shown.

* Not recommended for systems over 12' width.

 <p>Copyright © 2016 Rollac V1.1.2017 ROLLAC ROLLING SHUTTERS 5331 W. ORANGE ST. PEARLAND, TX 77581 TEL: 281-485-1911 WWW.ROLLAC.COM</p>	DRAWN	NAME	DATE	PROJECT:
	CHECKED	STEFAN P.	2017/01/11	DESCRIPTION:
	APPR.		YYYYMMDD	SYSTEM SPECIFICATION SHEETS FOR ZIPSHADE 150 SYSTEM.
	UNLESS OTHERWISE SPECIFIED DIMENSIONS ARE IN INCHES			SIZE DWG. NO.
ANGLES	.X	.XX	.XXX	REV
± .5	± .1	± .03	± .005	A
 <p>THIRD ANGLE PROJECTION</p>				SCALE: NONE WEIGHT: XX.XLBS 4 OF 13

COMMON TERMS USED FOR ZipShades



Measuring for a ZIPSHADES is easy once you know what issues to consider

1) Consider the way a ZIPSHADE will need to be installed. Is the area free of obstruction or will you need to fit the ZIPSHADE within a certain space?

The answer to this question will tell you whether you should use a plus (+) measurement or FM measurement.

2) Consider the height of the ZIPSHADE. The taller the ZIPSHADE, the larger the box size. In addition to the added height for the box, some space should be allowed for the base bar of a fully open ZIPSHADE in order to keep the view from inside unobstructed.

3) Consider the width of the ZIPSHADE. Adding either 3 inches for rails. Keep in mind, however, that this is only a guideline, and technical changes may be made when necessary.

4) Consider how power is supplied to the ZIPSHADE and the location of any control switches.

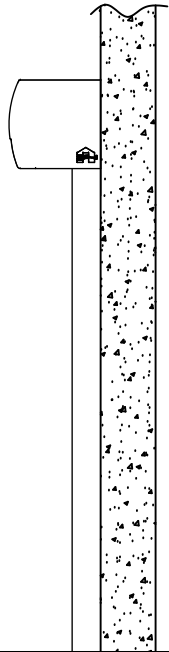
If you have any questions about this measuring and planning guideline, please don't hesitate to contact us at (281)485-1911 or at Sales@rollac.com.

ROLLAC		NAME	DATE	PROJECT:
DRAWN	TRAVIS E.	2017/01/11		
CHECKED	STEFAN P.	2017/01/11		DESCRIPTION:
APPR.		YYYY/MM/DD		SYSTEM SPECIFICATION SHEETS FOR ZIPSHADE 150 SYSTEM.
UNLESS OTHERWISE SPECIFIED DIMENSIONS ARE IN INCHES				
ANGLES	± .5	° ± .1	° ± .03	° ± .005
THIRD ANGLE PROJECTION			SIZE DWG. NO.	REV
			A ZIPSHADE 150	A
			SCALE: NONE	WEIGHT: XX.XLBS
			5 OF 13	

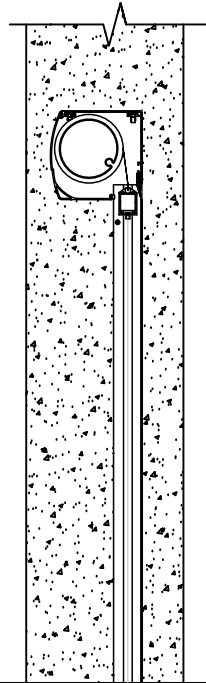
Copyright © 2016 Rollac V1.1.2017

ROLLAC ROLLING SHUTTERS
5331 W. ORANGE ST.
PEARLAND, TX 77581
TEL: 281-485-1911
WWW.ROLLAC.COM

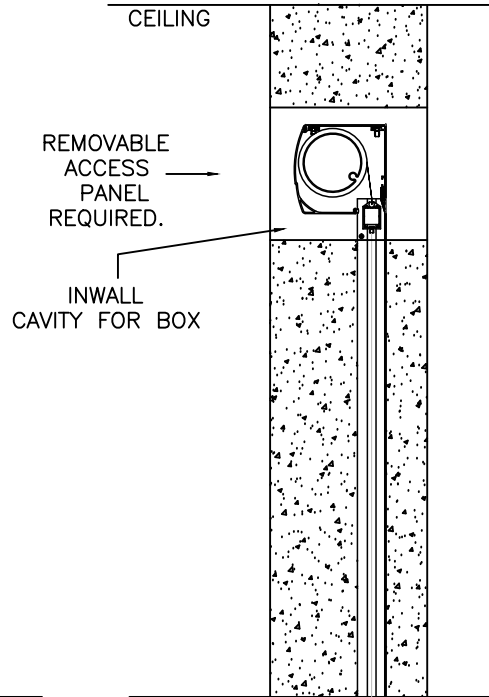
ZIPSHADE MOUNTING OPTIONS



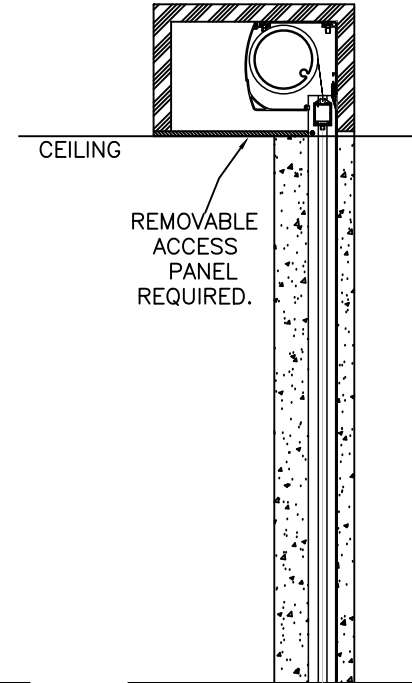
SURFACE MOUNT
See Page 7 of 13 for details.




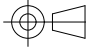
RECESS/JAMB MOUNT
See Page 8 of 13 for details.



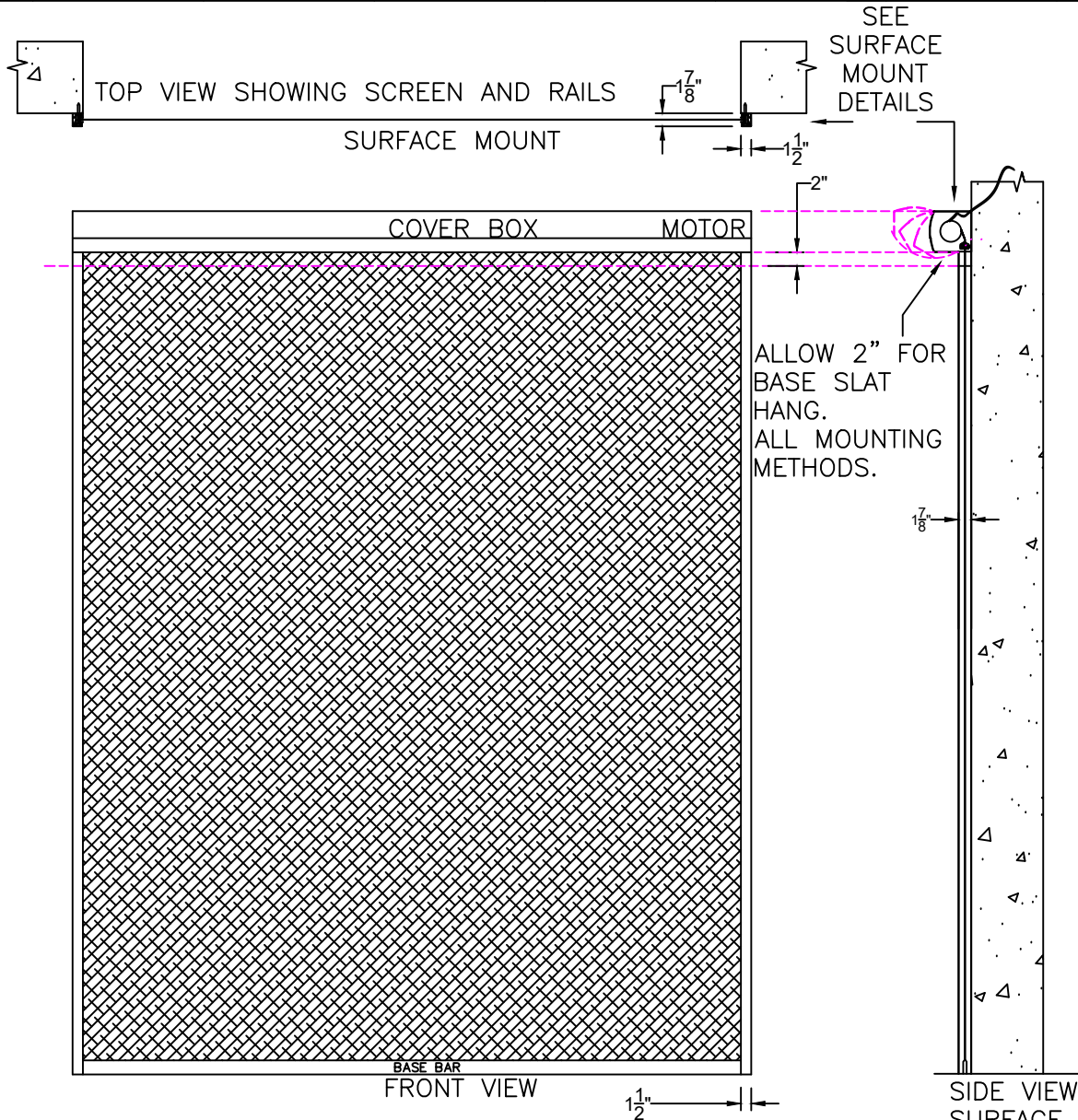
INWALL MOUNT
See Page 9 of 13 for details.



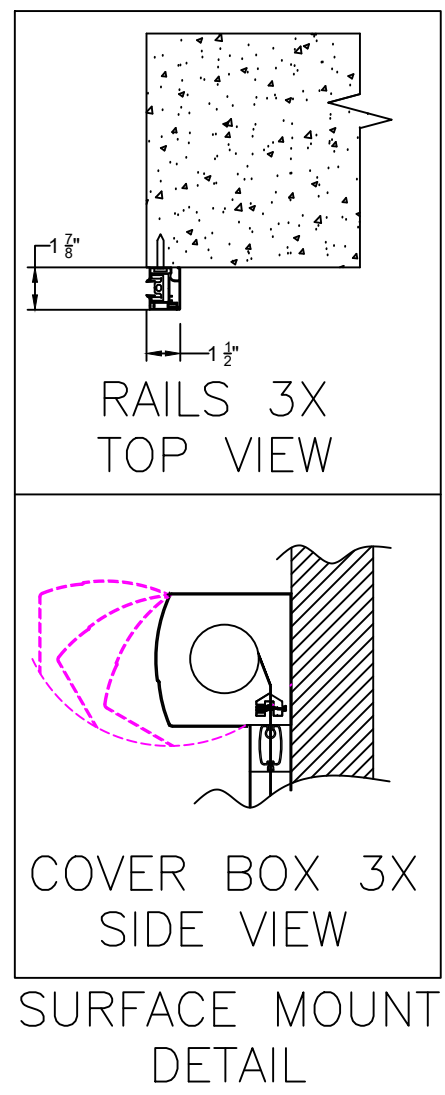
**ABOVE CEILING/
SOFFIT MOUNT**
See Page 10 of 13 for details.

 <p>Copyright © 2016 Rollac V1.1.2017</p> <p>ROLLAC ROLLING SHUTTERS 5331 W. ORANGE ST. PEARLAND, TX 77581 TEL: 281-485-1911 WWW.ROLLAC.COM</p>	NAME	DATE	PROJECT:
	DRAWN TRAVIS E.	2017/01/11	DESCRIPTION: SYSTEM SPECIFICATION SHEETS FOR ZIPSHADE 150 SYSTEM.
	CHECKED STEFAN P.	2017/01/11	
	APPR.	YYYY/MM/DD	
UNLESS OTHERWISE SPECIFIED DIMENSIONS ARE IN INCHES			
ANGLES	.X	.XX	.XXX
± .5	± 1	± .03	± .005
 <p>THIRD ANGLE PROJECTION</p>			SIZE DWG. NO. A ZIPSHADE 150 A
			SCALE: NONE WEIGHT: XX.XLBS 6 OF 13

ZIPSHADE SURFACE MOUNT

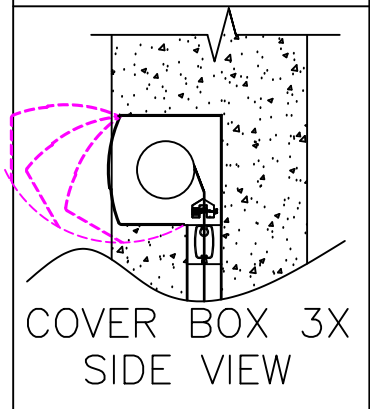
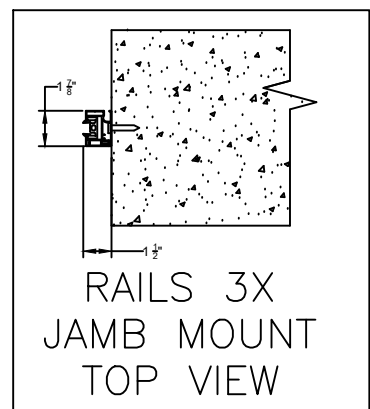
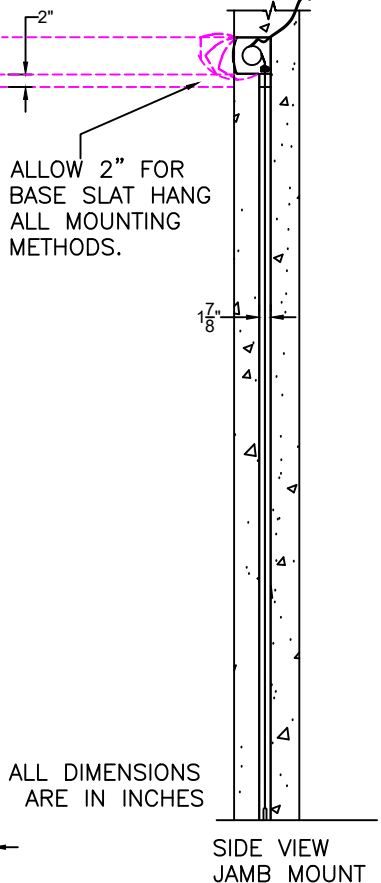
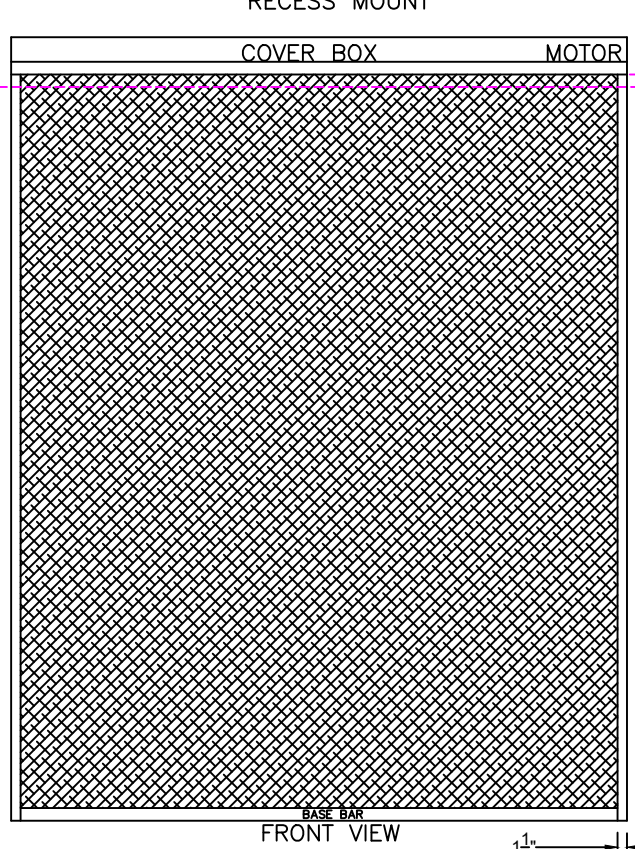
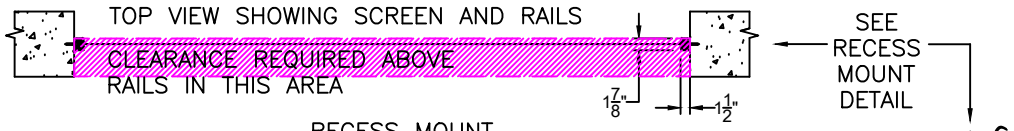


ALL DIMENSIONS
ARE IN INCHES



SURFACE MOUNT
DETAIL

<p>Copyright © 2016 Rollac V1.1.2017 ROLLAC ROLLING SHUTTERS 5331 W. ORANGE ST. PEARLAND, TX 77581 TEL. 281-485-1911 WWW.ROLLAC.COM</p>	NAME	DATE	PROJECT:
	DRAWN	TRAVIS E.	2017/01/11
	CHECKED	STEFAN P.	2017/03/11
	APPR.		YYYY/MM/DD
UNLESS OTHERWISE SPECIFIED DIMENSIONS ARE IN INCHES			DESCRIPTION:
ANGLES: X XX 1 XXX			SYSTEM SPECIFICATION SHEETS FOR ZIPSHADE 150 SYSTEM.
±.5 ±.1 ±.03 ±.005			SIZE DWG. NO.
<p>THIRD ANGLE PROJECTION</p>			A ZIPSHADE 150 A
			SCALE: NONE WEIGHT: XX.XLBS 7 OF 13

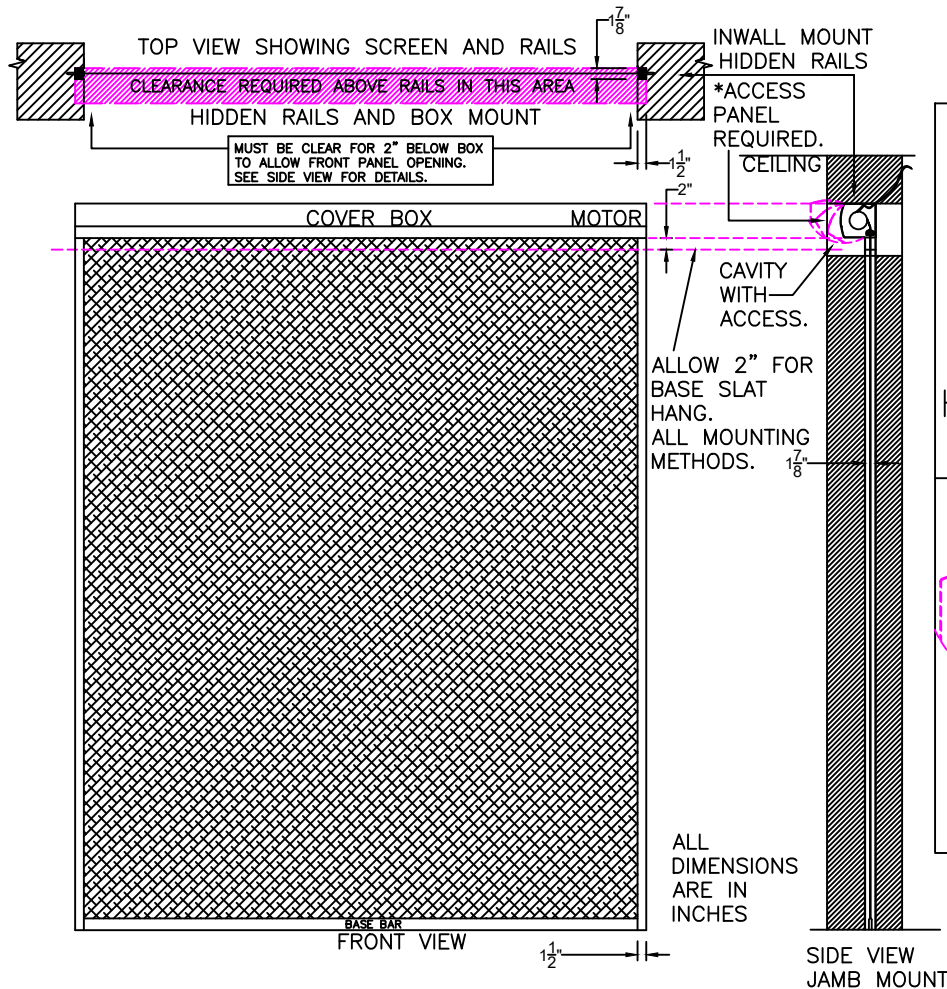


RECESS / JAMB MOUNT DETAIL

ZIPSHADE RECESS/JAMB MOUNT

ALL DIMENSIONS ARE IN INCHES

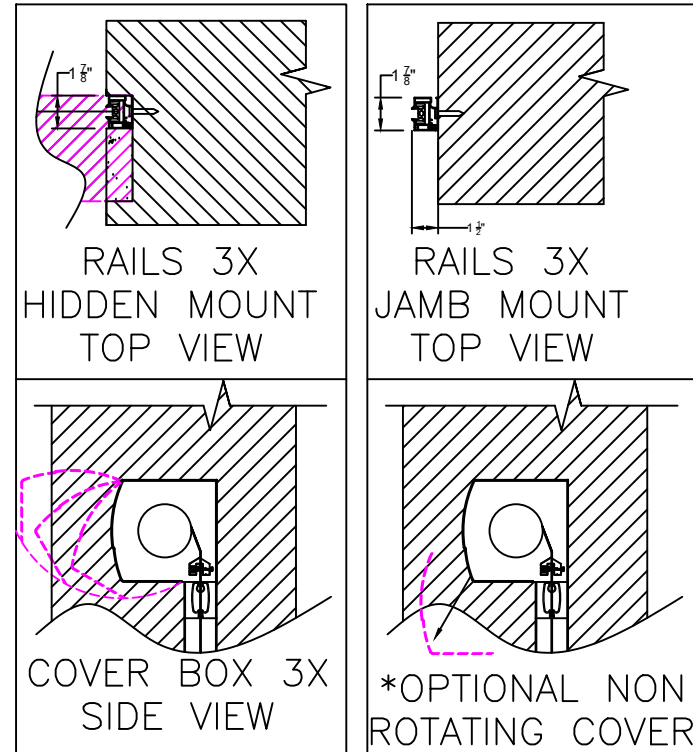
<p>Copyright © 2016 Rollac V1.1.2017</p> <p>ROLLAC ROLLING SHUTTERS 5331 W. ORANGE ST. PEARLAND, TX 77581 TEL: 281-485-1911 WWW.ROLLAC.COM</p>	NAME	DATE	PROJECT:		
	DRAWN	TRAVIS E.	2017/01/11	DESCRIPTION: SYSTEM SPECIFICATION SHEETS FOR ZIPSHADE 150 SYSTEM.	
	CHECKED	STEFAN P.	2017/01/11		
	APPR.		YYYY/MM/DD		
UNLESS OTHERWISE SPECIFIED DIMENSIONS ARE IN INCHES			SIZE DWG. NO.		
ANGLES	.X ± .5	.XX ± .1	.XXX ± .03	.00X ± .005	A ZIPSHADE 150 A SCALE: NONE WEIGHT: XX.XLBS 8 OF 13
THIRD ANGLE PROJECTION					



INWALL MOUNT

*IN WALL MOUNTED ZIPSHADES ARE USUALLY MOUNTED INSIDE A CAVITY WITHIN THE HEADER ABOVE THE OPENING. AN ACCESS PANEL WILL HAVE TO BE PROVIDED TO ENABLE INSTALLATION AND SERVICE. THE OPTIONAL NON ROTATING COVER ALLOWS EASIER ACCESS INSIDE THE ACCESS PANEL IN SOME INSTALLATIONS. CONTACT ROLLAC FOR MORE DETAILS.

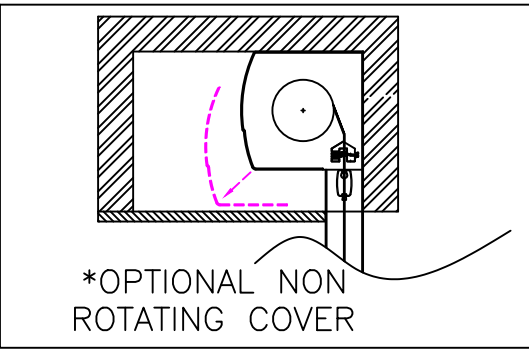
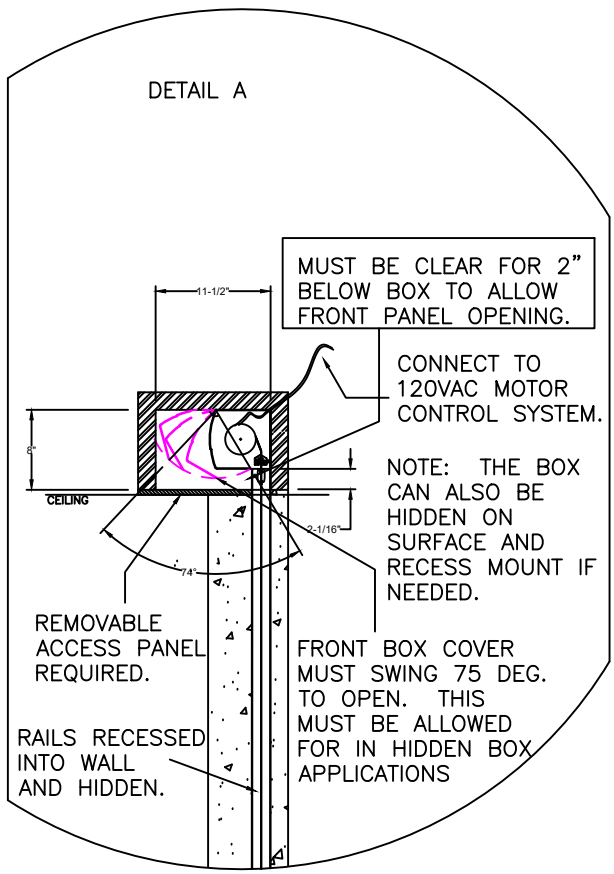
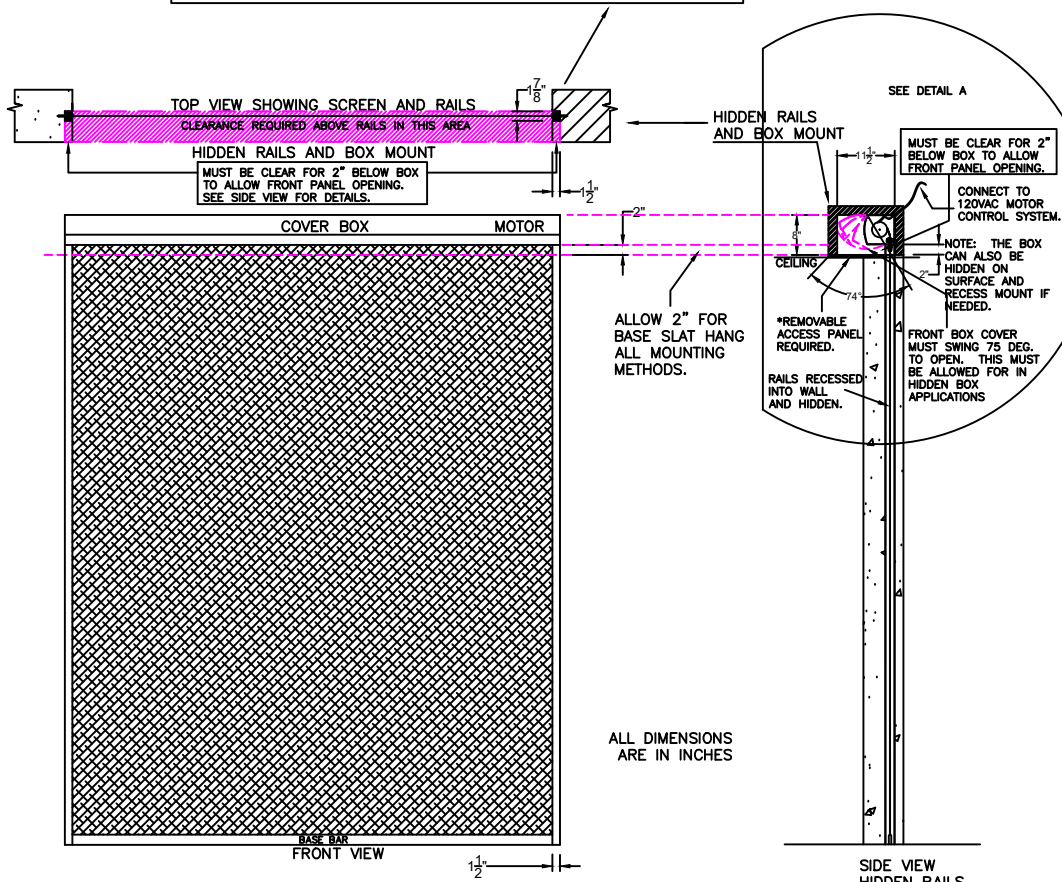
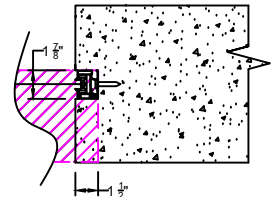
RAILS CAN BE HIDDEN OR JAMB MOUNTED



RECESS MOUNT DETAIL

<p>Copyright © 2016 Rollac V1.1.2017 ROLLAC ROLLING SHUTTERS 5331 W. ORANGE ST. PEARLAND, TX 77581 TEL: 281-485-1911 WWW.ROLLAC.COM</p>	NAME	DATE	PROJECT:	
	DRAWN	TRAVIS E.	2017/01/11	DESCRIPTION: SYSTEM SPECIFICATION SHEETS FOR ZIPSHADE 150 SYSTEM.
	CHECKED	STEFAN P.	2017/01/11	
	APPR.		YYYYMMDD	
UNLESS OTHERWISE SPECIFIED DIMENSIONS ARE IN INCHES				
ANGLES	.X ± .5	.XX ± .1	.XXX ± .03	.XXX ± .005
<p>THIRD ANGLE PROJECTION</p>			SIZE DWG. NO. A ZIPSHADE 150	REV A
SCALE: NONE			WEIGHT: XX.XLBS	9 OF 13

RAILS 3X
HIDDEN MOUNT
TOP VIEW



ABOVE CEILING / SOFFIT MOUNT

*ABOVE CEILING/SOFFIT MOUNTED ZIPSHADES ARE USUALLY MOUNTED INSIDE A CAVITY ABOVE THE CEILING OR SOFFIT. AN ACCESS PANEL WILL HAVE TO BE PROVIDED TO ENABLE INSTALLATION AND SERVICE. THE OPTIONAL NON ROTATING COVER ALLOWS EASIER ACCESS INSIDE THE ACCESS PANEL IN SOME INSTALLATIONS. CONTACT ROLLAC FOR MORE DETAILS.



Copyright © 2016 Rollac
V1.1.2017
ROLLAC ROLLING SHUTTERS
5331 W. ORANGE ST.
PEARLAND, TX 77581
TEL: 281-485-1911
WWW.ROLLAC.COM

NAME	DATE	PROJECT:
DRAWN TRAVIS E.	2017/01/11	
CHECKED STEFAN P.	2017/01/11	DESCRIPTION:
APPR.	YYYY/MM/DD	SYSTEM SPECIFICATION SHEETS FOR ZIPSHADE 150 SYSTEM.
UNLESS OTHERWISE SPECIFIED DIMENSIONS ARE IN INCHES		
ANGLES	.X .XX .XXX	
± .5 ± .1 ± .03 ± .005		
THIRD ANGLE PROJECTION		SIZE DWG. NO.
		A ZIPSHADE 150 A
		SCALE: NONE WEIGHT: XX.XLBS 10 OF 13

Recommended Fastener - Zipshade 150


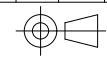
Substrate	Type of Screw	Minimum Embedment	Minimum Edge Distance	Drill Hole Spacing
Wood Framing*	#10 Wood or Lag Screw Pan Head, Phillips	1.5" Threaded Penetration to Existing Wood Stud	2" Edge Distance	Rails have predrilled holes. Hole spacing is every 10".
Concrete / Concrete Block Wall*	Fisher Plug 55 with Screw #10. Pan Head, Phillips (Still Verifying correct size with Fisher!)	1.75" Minimum Embedment into main structure*	3" Edge Distance	
Aluminum / Build Out / Angles	#10 TEK Screw Pan Head, Phillips	n.a.	n.a.	
Rail Snap Screw	DIN 912 M4 x 25 -A2	n.a.	n.a.	

Fastner schedule applies to zipshade guide rails. These fasteners can also be used to attach the housing!

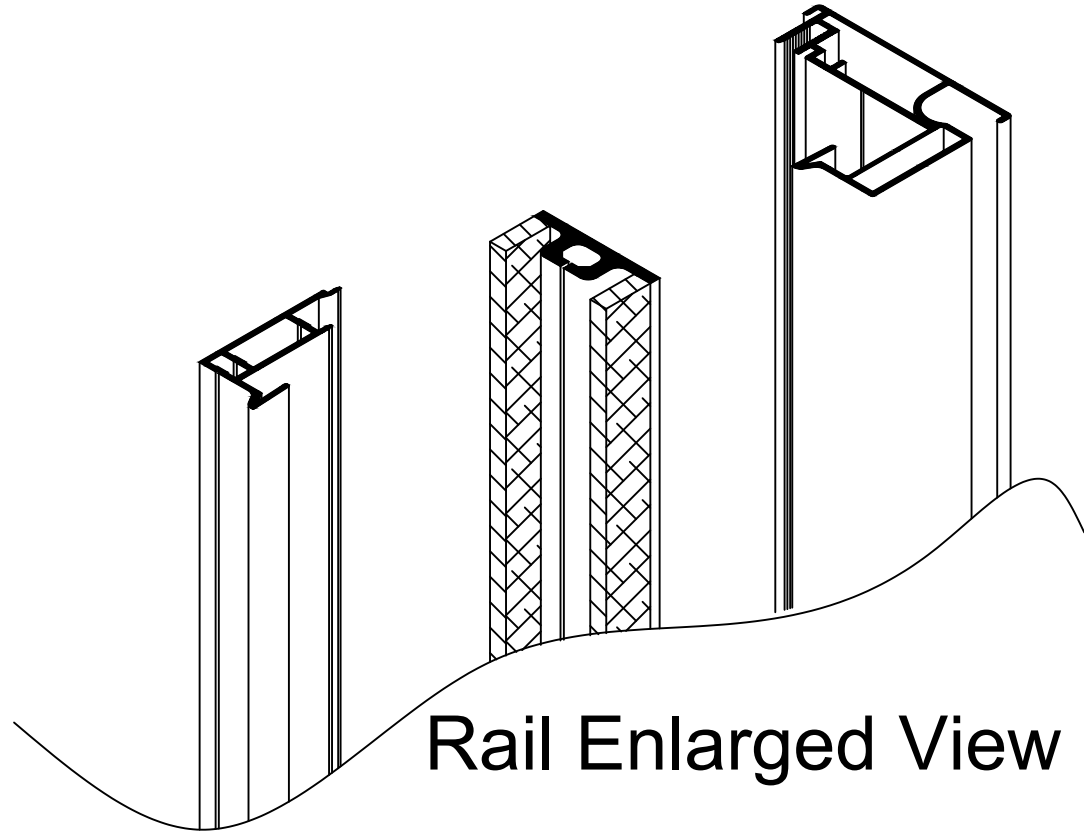
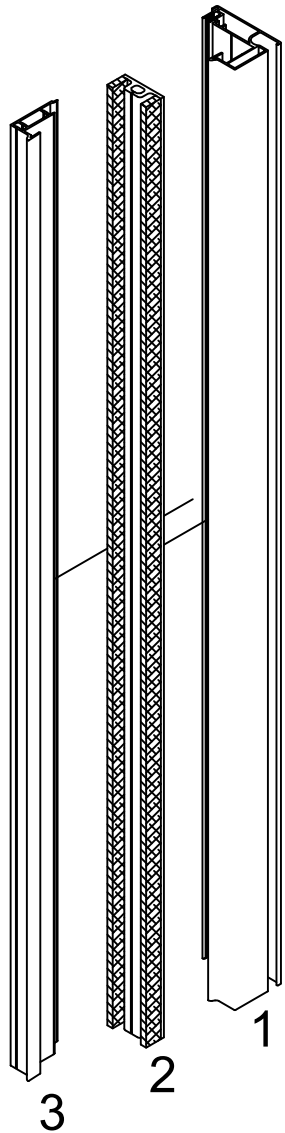
* Minimum embedment into concrete / main structure. No embedment into stucco shall be considered as part of the required embedment

Disclaimer: It is the responsibility of the installer to verify that the surface and structure is suitable to install a Zipshade. Fastener schedule is a recommendation. Installer to verify that Zipshade is securely fastened.

**Choose Corrosion Resistant Material that is appropriate for the environment in which the product is being installed.
Choose appropriate screw length to meet minimum embedment.**

 <p>Copyright © 2016 Rollac V1.1.2017 ROLLAC ROLLING SHUTTERS 5331 W. ORANGE ST. PEARLAND, TX 77581 TEL: 281-485-1911 WWW.ROLLAC.COM</p>	NAME	DATE	PROJECT:	
	DRAWN	TRAVIS E.	2017/01/11	DESCRIPTION: SYSTEM SPECIFICATION SHEETS FOR ZIPSHADE 150 SYSTEM.
	CHECKED	STEFAN P.	2017/01/11	
	APPR.		YYYY/MM/DD	
UNLESS OTHERWISE SPECIFIED DIMENSIONS ARE IN INCHES				
ANGLES	.X ± .5	.XX ± .1	.XXX ± .03	.XXX ± .05
 <p>THIRD ANGLE PROJECTION</p>			SIZE DWG. NO. A ZIPSHADE 150 A	
SCALE: NONE			WEIGHT: XX.XLBS	11 OF 13

Rail Details



Rail Enlarged View

Rails come in three pieces.

1 -Larger part to be mounted first.

2 -Zip Guide to be inserted with Screen.

3 -Final part attached with screws to mounted part (1) with Zip guide (2) and screen enclosed.



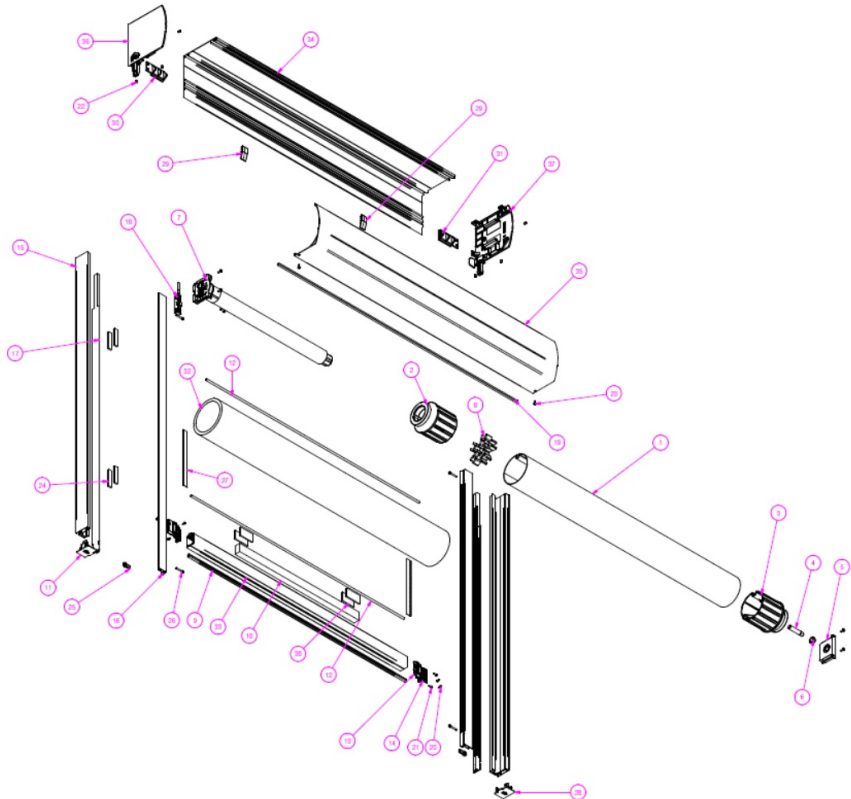
Copyright © 2016 Rollac
V1.1.2017

ROLLAC ROLLING SHUTTERS
5331 W. ORANGE ST.
PEARLAND, TX 77581
TEL: 281-485-1911
WWW.ROLLAC.COM

NAME	DATE	PROJECT:
DRAWN TRAVIS E.	2017/01/11	
CHECKED STEFAN P.	2017/01/11	DESCRIPTION:
APPR.	YYYY/MM/DD	SYSTEM SPECIFICATION SHEETS FOR ZIPSHADE 150 SYSTEM.
UNLESS OTHERWISE SPECIFIED DIMENSIONS ARE IN INCHES		
ANGLES	.X	.XX
± .5	± .1	± .03
		± .005
THIRD ANGLE PROJECTION		SIZE DWG. NO.
		A ZIPSHADE 150 A
		SCALE: NONE WEIGHT: XX.XLBS 12 OF 13

Fix Screen 150 Evo

ITEM	PART NUMBER	DESCRIPTION ENGLISH	ITEM	PART NUMBER	DESCRIPTION ENGLISH
1	P6015310	Fabric roller barrel steel 100mm x 1,5mm	20	G6000713	Screw end cap bottom bar (cover)- DIN7981 - ST2,9x9,5
2	G6010179	Cone shaped end piece for fabric roller motor side	21	G7003001	Screw end cap bottom bar (bar)- DIN 7981 - ST3.5x13
3	G6010117	Cone shaped end piece for fabric roller barrel bearingside Φ	22	G6000658	Srew locking piece bottom profile - DIN 916 - M5 x 8
4	G6010130	Axe Φ 12x56	23	G6000970	Screw fixing front profile - ISO 7380 - M4 x 10
5	G6020308	Sliding bearing JFM-1214-09	24	G6000347	PE foam 60x4x11mm (black side channels)
6	g6000762	Support piece bearing	25	G6020304	Klikker
7	G6020305	Sliding motor bracket JFM-1214-09	26	G6000494	Assemblyscrew side channel DIN 912 M4 x 25 - A2
8	G6012010	Crown Wheel motor tube 100MM (Renson)	27	G6045580	Zip
9	P6023920	Sealing strip	28	G6020302	End cap side channel right
10	S6091511	weight 20X30MM (per 0,5m, 2,36kg/piece) including foam 2	29	G6020828	Protection guiding piece bottom profile/headbox (bumper)
11	G6020309	End cap side channel left	30	G6020816	Locking piece bottomprofile Left
12	G6020308	Screen cord Φ 6mm (1m)	31	G6020817	Locking piece bottomprofile Right
13	G6020830	End piece bottom rail FE 150, RIGHT, colour BLACK	32	Fabric	Cover
14	G6020831	End piece bottom rail FE 150, LEFT, colour BLACK	33	P6043310	Bottom rail FIX150- raw (6m)
15	P6038610	Side channel back - open PUNSHED - raw (6m)	34	P6055210	Back cover IM1/6 - SOFTLINE raw (6m)
16	P6038730	Side channel front - pushed, raw (6m)	35	P6052010	Front cover IM1/6 - SOFTLINE raw (6m)
17	P6046710	Internal HPVC Co-extr. channel, colour dark grey (6m)	36	G6020831	End piece bottom rail FE 150, LEFT, colour BLACK
18	X6000017	Connect & go cable	37	G6020830	End piece bottom rail FE 150, RIGHT, colour BLACK
19	P6026628	Sealing brush for front cover (1m)	38	G6000437	Selfadhesive PE-mousse 3MM (2 per weight) 55X30X3MM



Copyright © 2016 Rollac
V1.12.2016

ROLLAC ROLLING SHUTTERS
5331 W. ORANGE ST.
PEARLAND, TX 77581
TEL 281-485-1911
WWW.ROLLAC.COM

NAME	DATE
TRAVIS E.	2016/12/06
CHECKED	STEFAN P.
DATE	2016/12/06
APPR.	YYYY/MM/DD

UNLESS OTHERWISE SPECIFIED
DIMENSIONS ARE IN INCHES

ANGLES	.X	.XX	.XXX
	± .5	± .1	± .03



PROJECT:

DESCRIPTION:
SYSTEM SPECIFICATION SHEETS FOR
ZIPSHADE 150 SYSTEM.

SIZE	DWG. NO.	REV
A	ZIPSHADE 150	A
SCALE: NONE	WEIGHT: XX.XLBS	13 OF 13



Experience
Technology
Higher Standards

Since 1982, Rollac has operated with a vision of quality, service, and modern technology to produce the best possible product for our customers. Each product is custom manufactured for every single job to ensure the best fit and finish. Regardless if you are looking to enhance security, add comfort to a space, or seek protection from the elements, Rollac has the solution for your home or work environment.

ROLLAC 

5331 West Orange Street
Pearland, TX 77581

toll free 1.888.2-ROLLAC
phone 281.485.1911
fax 281.485.0839

